



Unit shown with several optional accessories

The Industry's Most Reliable Filtered Battery Charger / Power Supply

The La Marche model A12B Series Filtered Battery Chargers/Power Supplies are engineered for the demanding requirements of Switch Gear applications, Process Controls and Communications. The magnetic amplifier circuitry is designed to carry continuous and intermittent loads up the maximum rated output. Its robust design and unmatched reliability has made this workhorse the standard in the industry, and with its customizing features, there is virtually no application that the A12B cannot meet.

Check the Digital CAP Systems data sheet for a combined accessory package.

Standard Features

- Magnetic Amplifier Circuitry
- Separate Float and Equalize Potentiometers provide simple and precise DC Voltage calibration.
- Float/Equalize Mode Switching
- Float and Equalize Lights
- Automatic AC Voltage Compensation
- +/- 0.5% DC Voltage Regulation
- Fused AC input and DC output protects Battery and Charger/Power Supply
- Analog DC Ammeter and DC Voltmeter
- Current Limiting Circuitry prevents overload and provides current control from 50 to 120% of rated output (factory set at 115%).
- Filtered DC Output (clean power) - the A12B can be used as a Power Supply with 30mV RMS and 100mV RMS or less on three phase units.
- AC Power Failure Relay with Form "C" Contacts
- AC Surge Suppression (MOV)
- UL 1012, C-UL Listed, UL 1481 Listed (option)
- 10-year Limited Warranty

Specifications

ELECTRICAL

- **AC Input Voltages**
Single Phase 60Hz: 120, 208, 240, 480 or 575
Single Phase 50Hz: 220/240, 380 or 415
Three Phase 60Hz: 208, 240, 480 or 575
Three Phase 50Hz: 220/240, 380 or 415
- **Power Protection**
AC Fuse, DC Fuse and Current Limit Protection
- **DC Output Voltages**
DC Amps: 3 to 400 amperes
DC Volts: 12, 24, 48 & 130VDC (Others available such as 32&36VDC)
- **Output Filtering (With or without a battery)**
30mV RMS for single phase models and 100mV RMS for three phase models
- **DC Voltage Regulation**
Plus or minus 0.5% of setting from no load to full load over the specified input voltage, frequency and ambient temperature ranges.

ENVIRONMENTAL

- **Operating Temperature**
0° to 50° C (32° to 122° F)
- **Storage Temperature**
-40° to 85° C (-40° to 185° F)
- **Relative Humidity**
0 to 95% (non-condensing)
- **MTBF**
250,000 Hours
- **Dimensions**
Overall dimensions and weights are listed on the last page of this Data Sheet. Case specifications are subject to change due to innovative product development and design. When space requirements are critical, please consult the factory.
- **Mounting**
Floor or wall units are available. Mounting flanges are supplied as integral part of cabinet back plate on wall mounted models.
- **Finish**
Pretreated with three step iron phosphate wash and de-ionized rinse. Finished with environmentally safe water based ANSI 61 gray baked enamel.

Agency Approvals

- **UL Battery Charger**
File E 319318, Guide BBML
UL Std. No. 1012
 - **C-UL Battery Charger**
CAN/CSA
Std. C22.2 No. 107-2
 - **UL Fire Alarm System Power Supply**
File S2768, Guide UTRZ
UL Std. No. 1481
Must Specify Accessory Code 09A
24V output, 240V or less, 60Hz single phase input only.
- Notes:*
All models where appropriate will carry the U.L. and C-U.L. Battery Charger listing. When U.L. Fire Alarm System Power Supply Listings are required, you must specify this requirement at the time of order. Not all models can be U.L. approved. Accessories, type of charger and rating will determine U.L. approval. Consult our factory if U.L. approvals are required.

Optional Accessories

ALARM & CONTROL

- **16 Series** (Refer to Digital C.A.P. Systems Data Sheet for complete details)
Digital C.A.P. (Combined Accessory Package) Systems featuring a Selectable LED Display, a Multi-Mode Equalize Timer with Light adjustable from 1-144 hrs with five selectable modes and various failure alarm & lights.
- **46 Series** (Refer to LCD C.A.P. Systems Data Sheet for complete details)
LCD C.A.P. Systems common features:
Selectable Display, Multi-Mode Equalize Timer, Equalize Light, Float Light, AC Power Failure Relay w/ (2) sets Form "C" (except 46Q), Low DC Current Alarm w/ (2) sets Form "C"
Low DC Voltage 1 Alarm w/ (2) sets Form "C" & Adjustable Time Delay (0-255 sec) (Except Ground Detection Alarms).
- **03N** Low DC Current Alarm & Light w/ (1) set Form "C" contacts
- **04J** Electronic Equalize Timer Multi-Mode adjustable from 2-144hrs with five selectable modes; Standard, 7-day, 14-day, 30-day and Equalize after Low DC Voltage.
- **050** Ground Detection Switch 3-position with DC Voltmeter indication (130VDC models utilizes two switches)
- **051** Ground Detection Alarm with Reset Pushbutton and (1) set form "C" Positive and (1) set form "C" Negative contacts
- **052** Ground Detection Lights (Positive and Negative)
- **053** Ground Detection Switch & Lights (130VDC models utilizes two switches)
- **054** AC Power Failure Light
- **060** AC Pilot Light Neon Bulb (*LED included with 16B Digital C.A.P. Systems*)
- **068** Sonalert with Silence Switch Audible Alarm
- **16C** Hi/Lo-2 Combination Alarm High/Low DC Voltage, Field Calibrations & Adjustments, Individual Lights and (2) Form "C" contacts for each alarm
- **10G** Forced Load Sharing (*with same model number only*)
- **103** Remote Sensing
- **162** Summary Alarm (*for use with discrete components only*)

METERING & PROTECTION

- **011** AC Breaker Single Pole (*120VAC only*)
- **012** DC Breaker Single Pole
- **016** AC Breaker Two Pole
- **017** DC Breaker Two Pole
- **01B** AC Breaker Three Pole (*3-phase input only*)
--- AC Breakers High Interrupting. Contact factory for appropriate code.
- **06G** Zero Center Ammeter w/Battery & Load Terminals (*under 250A units*)

METERING & PROTECTION CONTINUED

- **06L** AC Ammeter +/-2% accuracy (*single phase only*)
- **06M** AC Voltmeter +/-2% accuracy (*single phase only*)
- **102** DC Blocking Diode
- **104** AC Dual Fusing
- **105** DC Dual Fusing
- **107** DC Surge Protectors (*MOV's*)
- **111** Lightning Arrestor
- **140** AC Switch Single Pole (*60A Maximum*)
- **141** AC Switch Two Pole (*60A Maximum*)
- **143** AC Switch Three Pole (*60A Maximum*)

MISCELLANEOUS

- **09A** U.L. 1481 Listing (24V Only)
- **092** Tropicalization (magnetics only) Single Phase
- **093** Tropicalization (magnetics only) Three Phase
- **10B** USCG (U.S. Coast Guard) Accessories *
- **10L** Battery & Load Terminals (under 250A units)
- **11F** 30mV Filtering for 3-phase units
- **38G** ABS (American Bureau of Shipping) Modifications *
--- Floor Stand (must order separately)
--- Drip Shield (must order separately) *
- **38J** ABS (38G) & USGC (10B) Single Phase *
- **38K** ABS (38G) & USGC (10B) Three Phase *
- **11V** Temperature Compensation (Internal Probe)
- **11W** External Temperature Probe 22 ft
- **100** 2 Battery Charge Divider - Negative Ground
- **10U** 2 Battery Charge Divider - Positive Ground
- **101** 3 Battery Charge Divider - Negative Ground
- **10V** 3 Battery Charge Divider - Positive Ground
- **095** Point to Point Wiring Diagram with Wire Makers
- **096** Wire Markers - Includes Wire Marker Numbers on Electrical Schematic
- **09L** Physical Parts Location Drawing
- **097** SIS Wire (#16 AWG and larger)
- **09W** Heat Shrinkable Wire Markers
- **21P** DNP3.0 (Offered only with 46 series CAP)
- **21Q** Modbus (Offered only with 46 series CAP)

*ONLY Available On Case No. 3, 6, 7, 70, & 72.

Notes: Discrete Alarms are not available in conjunction with Digital C.A.P. (Combined Accessory Package) systems. Typically, when ordering two or more discrete components, the Digital C.A.P. system listed above provides a more economical approach. Case sizes may differ depending on optional accessories and/or 50Hz input. Please consult factory when dimensions are critical.

Must specify only one battery type and number of cells from range shown above. Please consult factory for other available cell ranges if desired range not shown.

| | Model Number | DC Amps | DC Fuse Size (Amps) ⁽¹⁾ | AC Input Phase | AC Input Current Draw @ 100% Load ⁽²⁾ (Amps) | | | | | | | | | | Std. Case Size ⁽⁴⁾ | Shipping Weight (Approximate) | |
|---|------------------------------|---------|------------------------------------|----------------|---|-----|-----|------|------|------------|-----------|------|------|------|-------------------------------|-------------------------------|-----|
| | | | | | 60Hz Units | | | | | 50Hz Units | | | | | | lbs | kgs |
| | | | | | A | D | L | B | C | E | B | L | G | J | | | |
| | | | | | 120 | 208 | 220 | 240 | 480 | 575 | 240 / 220 | 380 | 415 | | | | |
| 12 volt systems (6L, 9 or 10NC) | A12B-3-12V | 3 | 10 | 1 | 0.8 | 0.4 | 0.4 | 0.4 | --- | --- | 0.4 / 0.4 | --- | --- | 7 | 60 | 27.2 | |
| | A12B-6-12V | 6 | 15 | 1 | 1.5 | 0.9 | 0.8 | 0.8 | --- | --- | 0.8 / 0.8 | --- | --- | 7 | 70 | 31.8 | |
| | A12B-10-12V | 10 | 20 | 1 | 2.5 | 1.4 | 1.4 | 1.3 | --- | --- | 1.3 / 1.4 | --- | --- | 7 | 80 | 36.3 | |
| | A12B-15-12V | 15 | 25 | 1 | 3.8 | 2.2 | 2.1 | 1.9 | --- | --- | 1.9 / 2.1 | --- | --- | 3 | 90 | 40.8 | |
| | A12B-20-12V | 20 | 30 | 1 | 5 | 2.9 | 2.7 | 2.5 | --- | --- | 2.5 / 2.7 | --- | --- | 3 | 95 | 43.1 | |
| | A12B-30-12V | 30 | 40 | 1 | 7.5 | 4.3 | 4.1 | 3.8 | 1.9* | 1.6* | 3.8 / 4.1 | 2.4* | 2.2* | 3 | 105 | 47.6 | |
| | A12B-40-12V | 40 | 60 | 1 | 10 | 5.8 | 5.5 | 5 | 2.5* | 2.1* | 5 / 5.5 | 3.2* | 2.9* | 6 | 155 | 70.3 | |
| | A12B-50-12V | 50 | 80 | 1 | 13 | 7.2 | 6.8 | 6.3 | 3.1* | 2.6* | 6.3 / 6.8 | 4.0* | 3.6* | 6 | 170 | 77.1 | |
| | A12B-60-12V | 60 | 80 | 1 | 15 | 8.7 | 8.2 | 7.5 | 3.8* | 3.1* | 7.5 / 8.2 | 4.7* | 4.3* | 6 | 180 | 81.7 | |
| | A12B-75-12V | 75 | 100 | 1 | 19 | 11 | 11 | 9.4 | 4.7* | 3.9* | 9.4 / 11 | 5.9* | 5.4* | 6 | 225 | 102.1 | |
| A12B-100-12V | 100 | 150 | 3 | --- | 7.5 | 7.1 | 6.5 | 3.3* | 2.7* | 6.5 / 7.1 | 4.1* | 3.8* | 8A | 325 | 147.4 | | |
| 24 volt systems (12L, 19 or 20NC) | A12B-3-24V | 3 | 10 | 1 | 1.5 | 0.9 | 0.8 | 0.8 | --- | --- | 0.8 / 0.8 | --- | --- | 7 | 70 | 31.8 | |
| | A12B-6-24V | 6 | 15 | 1 | 3 | 1.7 | 1.6 | 1.5 | --- | --- | 1.5 / 1.6 | --- | --- | 3 | 85 | 38.6 | |
| | A12B-10-24V | 10 | 20 | 1 | 5 | 2.9 | 2.7 | 2.5 | --- | --- | 2.5 / 2.7 | --- | --- | 3 | 95 | 43.1 | |
| | A12B-15-24V | 15 | 25 | 1 | 7.5 | 4.3 | 4.1 | 3.8 | 1.9* | 1.6* | 3.8 / 4.1 | 2.4* | 2.2* | 3 | 100 | 45.4 | |
| | A12B-20-24V | 20 | 30 | 1 | 10 | 5.8 | 5.5 | 5 | 2.5* | 2.1* | 5 / 5.5 | 3.2* | 2.9* | 3 | 120 | 54.4 | |
| | A12B-25-24V | 25 | 35 | 1 | 13 | 7.2 | 6.8 | 6.3 | 3.1* | 2.6* | 6.3 / 6.8 | 4.0* | 3.6* | 3 | 135 | 61.2 | |
| | A12B-30-24V | 30 | 40 | 1 | 15 | 8.7 | 8.2 | 7.5 | 3.8* | 3.1* | 7.5 / 8.2 | 4.7* | 4.3* | 3 | 145 | 65.9 | |
| | A12B-35-24V | 35 | 50 | 1 | 18 | 11 | 9.6 | 8.8 | 4.4* | 3.7* | 8.8 / 9.6 | 5.5* | 5.1* | 6 | 190 | 86.2 | |
| | A12B-40-24V | 40 | 60 | 1 | 21 | 12 | 11 | 10 | 5* | 3.2* | 10 / 11 | 6.3* | 5.8* | 6 | 205 | 93.0 | |
| | A12B-50-24V | 50 | 80 | 1 | 26 | 15 | 14 | 13 | 6.3* | 5.2* | 13 / 14 | 7.9 | 7.2 | 6 | 240 | 108.9 | |
| | A12B-60-24V | 60 | 80 | 1 | 31 | 18 | 17 | 15 | 7.5 | 6.3* | 15 / 17 | 9.5 | 8.7 | 6 | 265 | 120.2 | |
| | A12B-75-24V | 75 | 100 | 1 | 38 | 22 | 21 | 19 | 9.4 | 7.8 | 19 / 21 | 12 | 11 | 70 | 400 | 181.4 | |
| | A12B-100-24V | 100 | 150 | 1 | 51 | 29 | 28 | 26 | 13 | 11 | 26 / 28 | 16 | 15 | 70 | 450 | 204.1 | |
| | A12B-125-24V | 125 | 200 | 3 | --- | 19 | 18 | 17 | 8.1 | 6.8* | 17 / 18 | 11 | 9.4 | 70 | 525 | 238.1 | |
| | A12B-150-24V | 150 | 200 | 3 | --- | 23 | 22 | 20 | 9.8 | 8.2 | 20 / 22 | 13 | 12 | 72 | 630 | 285.8 | |
| | A12B-200-24V | 200 | 250 | 3 | --- | 30 | 29 | 26 | 13 | 11 | 26 / 29 | 17 | 16 | 27 | 825 | 374.2 | |
| A12B-250-24V | 250 | 300 | 3 | --- | 38 | 36 | 33 | 17 | 14 | 33 / 36 | 21 | 19 | 27 | 880 | 399.2 | | |
| A12B-300-24V | 300 | 400 | 3 | --- | 46 | 43 | 40 | 20 | 17 | 40 / 43 | 25 | 23 | 27 | 940 | 426.4 | | |
| A12B-400-24V | 400 | 600 | 3 | --- | 61 | 57 | 53 | 26 | 22 | 53 / 57 | 33 | 31 | 47 | 1350 | 612.4 | | |
| 48 volt systems (24L, 36, 37 or 38NC) | A12B-3-48V | 3 | 10 | 1 | 3 | 1.7 | 1.6 | 1.5 | --- | --- | 1.5 / 1.6 | --- | --- | 7 | 85 | 38.6 | |
| | A12B-6-48V | 6 | 15 | 1 | 6 | 3.5 | 3.3 | 3 | --- | --- | 3 / 3.3 | --- | --- | 3 | 90 | 40.8 | |
| | A12B-10-48V | 10 | 20 | 1 | 10 | 5.8 | 5.5 | 5 | 2.5* | 2.1* | 5 / 5.5 | 3.2* | 2.9* | 3 | 140 | 63.5 | |
| | A12B-15-48V | 15 | 25 | 1 | 15 | 8.7 | 8.2 | 7.5 | 3.8* | 3.1* | 7.5 / 8.2 | 4.7* | 4.3* | 6 | 180 | 81.7 | |
| | A12B-20-48V | 20 | 30 | 1 | 21 | 12 | 11 | 10 | 5* | 4.2* | 10 / 11 | 6.3* | 5.8* | 6 | 205 | 93.0 | |
| | A12B-25-48V | 25 | 35 | 1 | 26 | 15 | 14 | 13 | 6.3* | 5.2* | 13 / 14 | 7.9 | 7.2 | 6 | 240 | 108.9 | |
| | A12B-30-48V | 30 | 40 | 1 | 31 | 18 | 17 | 15 | 7.5 | 6.3* | 15 / 17 | 9.5 | 8.7 | 6 | 265 | 120.2 | |
| | A12B-40-48V | 40 | 60 | 1 | 41 | 24 | 22 | 21 | 10 | 8.4 | 21 / 22 | 13 | 12 | 6 | 275 | 124.7 | |
| | A12B-50-48V | 50 | 80 | 1 | 51 | 29 | 28 | 26 | 13 | 11 | 26 / 28 | 16 | 15 | 8A | 355 | 161.0 | |
| | A12B-60-48V | 60 | 80 | 3 | --- | 18 | 17 | 16 | 7.8 | 6.5* | 16 / 17 | 9.9 | 9 | 8A | 400 | 181.4 | |
| | A12B-75-48V | 75 | 100 | 3 | --- | 23 | 22 | 20 | 9.8 | 8.2 | 20 / 22 | 13 | 12 | 72 | 525 | 238.1 | |
| | A12B-100-48V | 100 | 150 | 3 | --- | 30 | 29 | 26 | 13 | 11 | 26 / 29 | 17 | 16 | 72 | 625 | 283.5 | |
| | A12B-125-48V | 125 | 200 | 3 | --- | 38 | 36 | 33 | 17 | 14 | 33 / 36 | 21 | 19 | 72 | 700 | 317.5 | |
| | A12B-150-48V | 150 | 200 | 3 | --- | 46 | 43 | 40 | 20 | 17 | 40 / 43 | 25 | 23 | 27 | 850 | 385.6 | |
| | A12B-175-48V | 175 | 250 | 3 | --- | 53 | 50 | 46 | 23 | 19 | 46 / 50 | 29 | 27 | 27 | 1000 | 453.6 | |
| | A12B-200-48V | 200 | 250 | 3 | --- | 61 | 57 | 53 | 26 | 22 | 53 / 57 | 33 | 31 | 27 | 1150 | 521.6 | |
| A12B-250-48V | 250 | 300 | 3 | --- | 76 | 71 | 66 | 33 | 28 | 66 / 71 | 42 | 38 | 47 | 1400 | 635.0 | | |
| A12B-300-48V | 300 | 400 | 3 | --- | 91 | 86 | 79 | 40 | 33 | 79 / 86 | 50 | 46 | 47 | 1700 | 771.1 | | |
| A12B-400-48V | 400 | 600 | 3 | --- | 121 | 114 | 105 | 53 | 44 | 105 / 114 | 66 | 61 | 47 | 1800 | 816.5 | | |
| 130 volt systems (58 or 60L, 92, 93, 96 or 97NC) | A12B-3-130V | 3 | 10 | 1 | 7.5 | 4.3 | 4.1 | 3.8 | --- | --- | 3.8 / 4.1 | --- | --- | 3 | 140 | 63.5 | |
| | A12B-6-130V | 6 | 15 | 1 | 15 | 8.7 | 8.2 | 7.5 | --- | --- | 7.5 / 8.2 | 4.7* | --- | 3 | 140 | 63.5 | |
| | A12B-10-130V | 10 | 20 | 1 | 26 | 15 | 14 | 13 | 6.3* | 5.2* | 13 / 14 | 7.9 | 7.2 | 6 | 225 | 102.1 | |
| | A12B-15-130V | 15 | 25 | 1 | 38 | 22 | 21 | 19 | 9.4 | 7.8 | 19 / 21 | 12 | 11 | 6 | 250 | 113.4 | |
| | A12B-20-130V | 20 | 30 | 1 | 51 | 29 | 28 | 26 | 13 | 11 | 26 / 28 | 16 | 15 | 6 | 270 | 122.5 | |
| | A12B-25-130V | 25 | 35 | 1 | 63 | 37 | 35 | 32 | 16 | 14 | 32 / 35 | 20 | 19 | 8A | 355 | 161.0 | |
| | A12B-30-130V | 30 | 40 | 1 | 76 | 44 | 41 | 38 | 19 | 16 | 38 / 41 | 24 | 22 | 8A | 390 | 176.9 | |
| | A12B-35-130V | 35 | 50 | 1 | 88 | 51 | 48 | 44 | 22 | 19 | 44 / 48 | 28 | 26 | 72 | 505 | 229.1 | |
| | A12B-40-130V | 40 | 60 | 1 | 101 | 58 | 55 | 51 | 26 | 21 | 51 / 55 | 32 | 29 | 72 | 550 | 249.5 | |
| | A12B-50-130V | 50 | 80 | 3 | --- | 30 | 29 | 26 | 13 | 11 | 26 / 29 | 17 | 16 | 72 | 625 | 283.5 | |
| | A12B-60-130V | 60 | 80 | 3 | --- | 46 | 43 | 40 | 20 | 17 | 40 / 43 | 25 | 23 | 27 | 865 | 392.4 | |
| | A12B-75-130V | 75 | 100 | 3 | --- | 57 | 54 | 49 | 25 | 21 | 49 / 54 | 31 | 29 | 27 | 930 | 421.9 | |
| | A12B-100-130V | 100 | 150 | 3 | --- | 76 | 71 | 66 | 33 | 28 | 66 / 71 | 42 | 38 | 27 | 1040 | 471.7 | |
| | A12B-125-130V | 125 | 200 | 3 | --- | 94 | 89 | 82 | 41 | 34 | 82 / 89 | 52 | 48 | 47 | 1500 | 680.4 | |
| | A12B-150-130V | 150 | 200 | 3 | --- | 113 | 107 | 98 | 49 | 41 | 98 / 107 | 62 | 57 | 47 | 1800 | 816.5 | |
| | A12B-175-130V ⁽³⁾ | 175 | 250 | 3 | --- | 132 | 125 | 114 | 57 | 48 | 114 / 125 | 72 | 66 | 47 | 1950 | 884.5 | |
| | A12B-200-130V ⁽³⁾ | 200 | 250 | 3 | --- | 151 | 142 | 131 | 66 | 55 | 131 / 142 | 83 | 76 | 47 | 2100 | 952.6 | |
| | A12B-250-130V ⁽³⁾ | 250 | 300 | 3 | --- | 188 | 178 | 163 | 82 | 68 | 163 / 178 | 103 | 95 | 47 | 2300 | 1043.3 | |
| | A12B-300-130V ⁽³⁾ | 300 | 400 | 3 | --- | 226 | 214 | 196 | 98 | 82 | 196 / 214 | 124 | 113 | 47B | 2400 | 1088.6 | |
| A12B-400-130V ⁽³⁾ | 400 | 600 | 3 | --- | 301 | 285 | 261 | 131 | 109 | 261 / 285 | 165 | 151 | 57 | 2550 | 1156.7 | | |

⁽¹⁾ Optional DC Breaker when ordered in lieu of standard fuse(s) may slightly differ in ratings. AC Draws shown with asterisk * are not available with Optional AC Breaker.

⁽²⁾ AC Current Draws based @ 100% load and standard battery cells of 6L (12V), 12L (24V), 24L (48V) and 60L (130V). Maximum Current Draw is 120% of ratings shown.

⁽³⁾ AC Current draws shown in *Italics* have high current draws for their specific input voltages - verification of input power requirement should be done prior to ordering.

⁽⁴⁾ Denotes units not UL Listed

⁽⁵⁾ Case sizes shown are for standard 60Hz units and may differ depending on optional accessories and/or 50Hz input. Please consult factory when dimensions are critical.

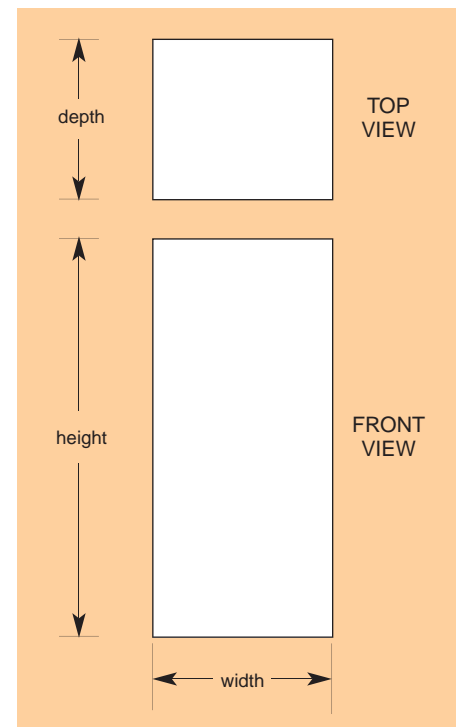
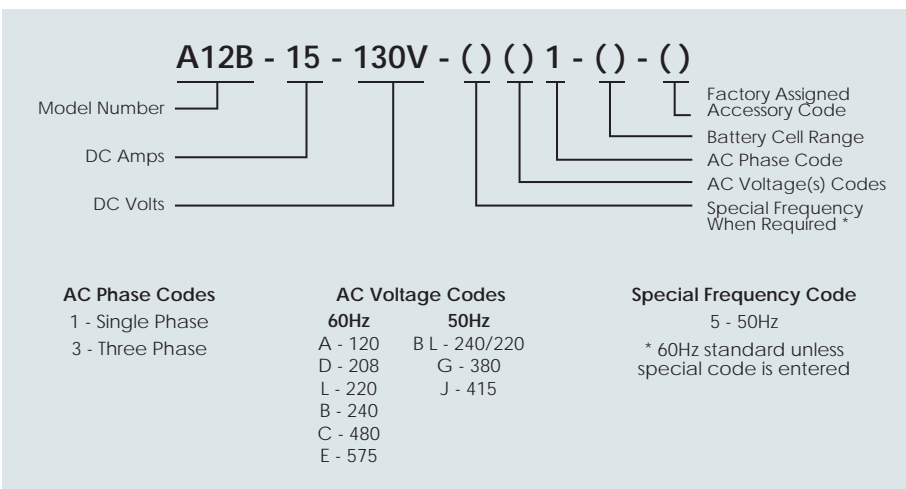
Case Specifications

| Case No. | Overall Dimensions | | | | | |
|----------|--------------------|------|--------|------|--------|------|
| | Width | | Depth | | Height | |
| | in | mm | in | mm | in | mm |
| 3 | 15.375 | 391 | 11.000 | 279 | 23.750 | 603 |
| 6 | 25.580 | 650 | 13.935 | 354 | 28.000 | 711 |
| 7 | 14.250 | 362 | 10.625 | 270 | 19.875 | 505 |
| 8A | 27.200 | 691 | 15.250 | 387 | 32.500 | 826 |
| 27 | 27.312 | 694 | 25.875 | 657 | 56.125 | 1426 |
| 47 | 38.000 | 965 | 39.375 | 1000 | 70.000 | 1778 |
| 47B | 38.00 | 965 | 46.750 | 1188 | 71.125 | 1807 |
| 57 | 60.000 | 1524 | 36.000 | 914 | 80.000 | 2032 |
| 70 | 27.000 | 686 | 19.000 | 483 | 41.000 | 1041 |
| 72 | 27.000 | 686 | 23.500 | 597 | 44.500 | 1130 |

| Case No. | Cable Entry (when facing unit) | | Mounting |
|----------|--------------------------------|---------------------|--------------|
| | AC input | DC output | |
| 3 | RIGHT | LEFT | WALL / FLOOR |
| 6 | RIGHT / TOP / BOTTOM | LEFT / TOP / BOTTOM | WALL / FLOOR |
| 7 | RIGHT | LEFT | WALL / FLOOR |
| 8A | RIGHT | LEFT | FLOOR |
| 27 | TOP | TOP | FLOOR |
| 47 | TOP / BOTTOM | TOP / BOTTOM | FLOOR |
| 47B | TOP / BOTTOM | TOP / BOTTOM | FLOOR |
| 57 | BOTTOM | BOTTOM | FLOOR |
| 70 | RIGHT / BOTTOM | LEFT / BOTTOM | FLOOR |
| 72 | RIGHT / BOTTOM | BOTTOM | FLOOR |

Case sizes may differ depending on optional accessories and / or 50Hz input. Please consult factory when dimensions are critical. Dimensions shown above are overall footprint. Detailed dimensions drawings are available for mounting purposes.

Model Number Nomenclature



Ordering Information

When ordering, please specify:

- La Marche Model Number A12B
- Input Voltage, Frequency, Phase
- Number and Type of Battery Cells
- Ampere Hour Capacity of Battery

- Intermittent DC Loads and Duration
- Continuous DC Load
- Allowable Recharge Time from Full Discharge (where applicable)
- Optional Accessories
- Verify AC Input Current Draw